



COMBiLiFT

Customised Handling Solutions

COMBi[®]-CB

Compact multi-directional forklift



Long Load Handling



Inside Container



Bottom Level Storage



Sliding LP Gas Bottle



- > Handles Palletised & Long Loads
- > Operates Indoors & Outdoors

www.COMBiLiFT.com

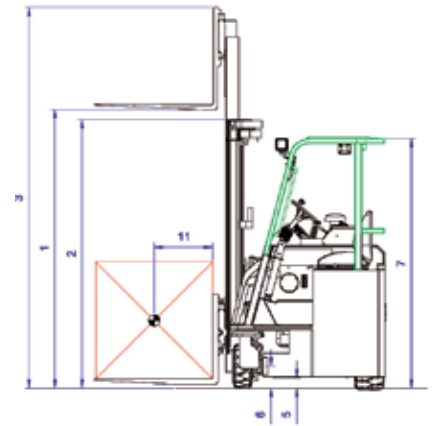


SPECIFICATIONS

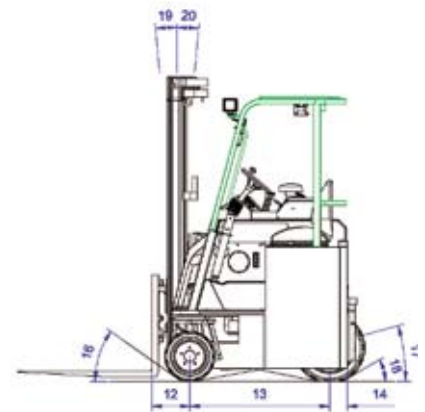
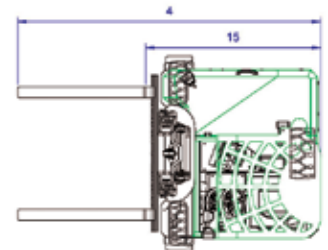
COMBi[®]-CB

Community Design Registration No. 000725668-0001.
Patents Pending.

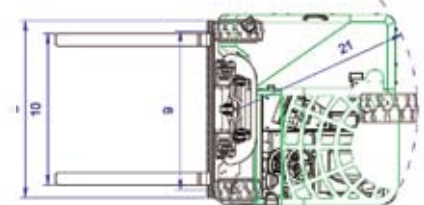
DESCRIPTION		STD	OPTIONAL		
1a	Standard Lift Height	4000mm	4900mm	5500mm	6000mm
1b	Free Lift Height	0	1318mm	1518mm	1718mm
2	Height Mast Closed	2670mm	2243mm	2443mm	2643mm
3	Max. (Mast Raised)	4830mm	5778mm	6378mm	6878mm
4	Overall Length		2615mm		
5	Ground Clearance Under Mast		125mm		
6	Ground Clearance to Wheelbase Centre		100mm		
7	Height of Overhead Guard		2250mm		
8	Width		1500mm		
9	Outside Spread of Fork Arms		1325mm		
10	Track Front		1320mm		
11	Load Centre Distance		600mm		
12	Overhang Front		300mm		
13	Wheel Base		1100mm		
14	Overhang Back		140mm		
15	Length From Face of Fork		1550mm		
16	Approach Angle		30°		
17	Ramp Angle		15°		
18	Departure Angle		30°		
19	Forward Tilt		3°		
20	Backward Tilt		8°		
21	Minimum Outside Radius		1500mm		
A	Capacity		2500Kg		
B	Unladed Weight		5900Kg		
C	Maximum Ground Speed		12 Km/h		
D	Gradability		10%		
E	V1505 Kubota diesel / 3.0L GM LP Gas		32KW / 48KW		
F	Electrics		12 Volt		
G	Fork Section		125 x 50 x 1065mm		
H	16 x 7 - 10.5 Front Rubber Tyre x 2		OD 406 / Width 178		
I	22 x 10 x 16 Rear Rubber Tyre x 1		OD 559 / Width 254		
J	Standard Colour		Green and Grey		
K	Suspension Seat		KAB Model 211		



SIDEWARD MODE



FRONTAL MODE



FEATURES INCLUDE:

- Open Cabin
- Load Sensing Steering
- 4-way lever positioning of Wheels
- Multi-direction Operation
- 3 Wheel Hydrostatic Drive
- 200mm Side Shift
- Automatic Carousel

Distributed by

www.COMBiLiFT.com

COMBiLiFT

Co. Monaghan
Ireland

T: +353 47 80500

F: +353 47 80501

E: info@combilift.com